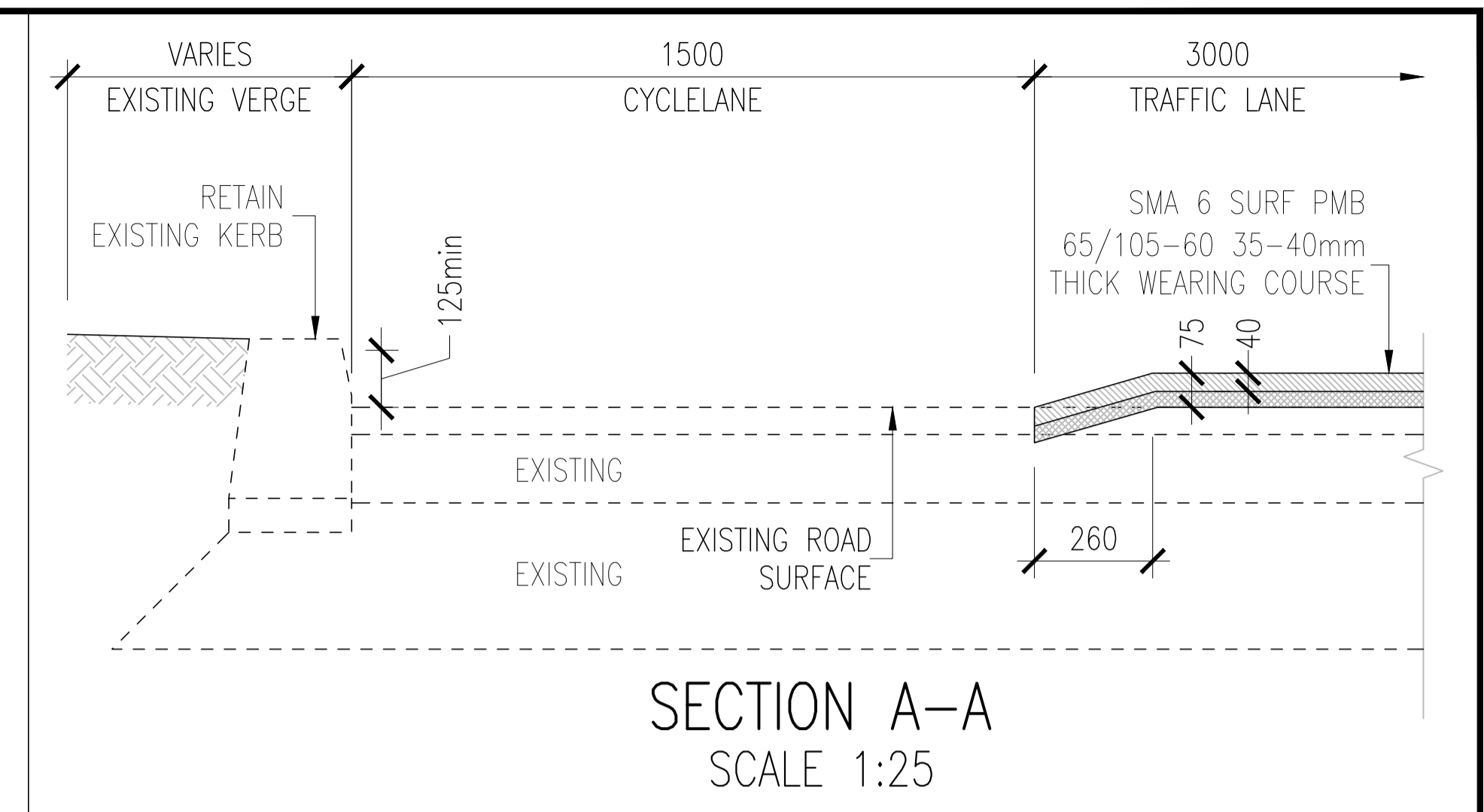
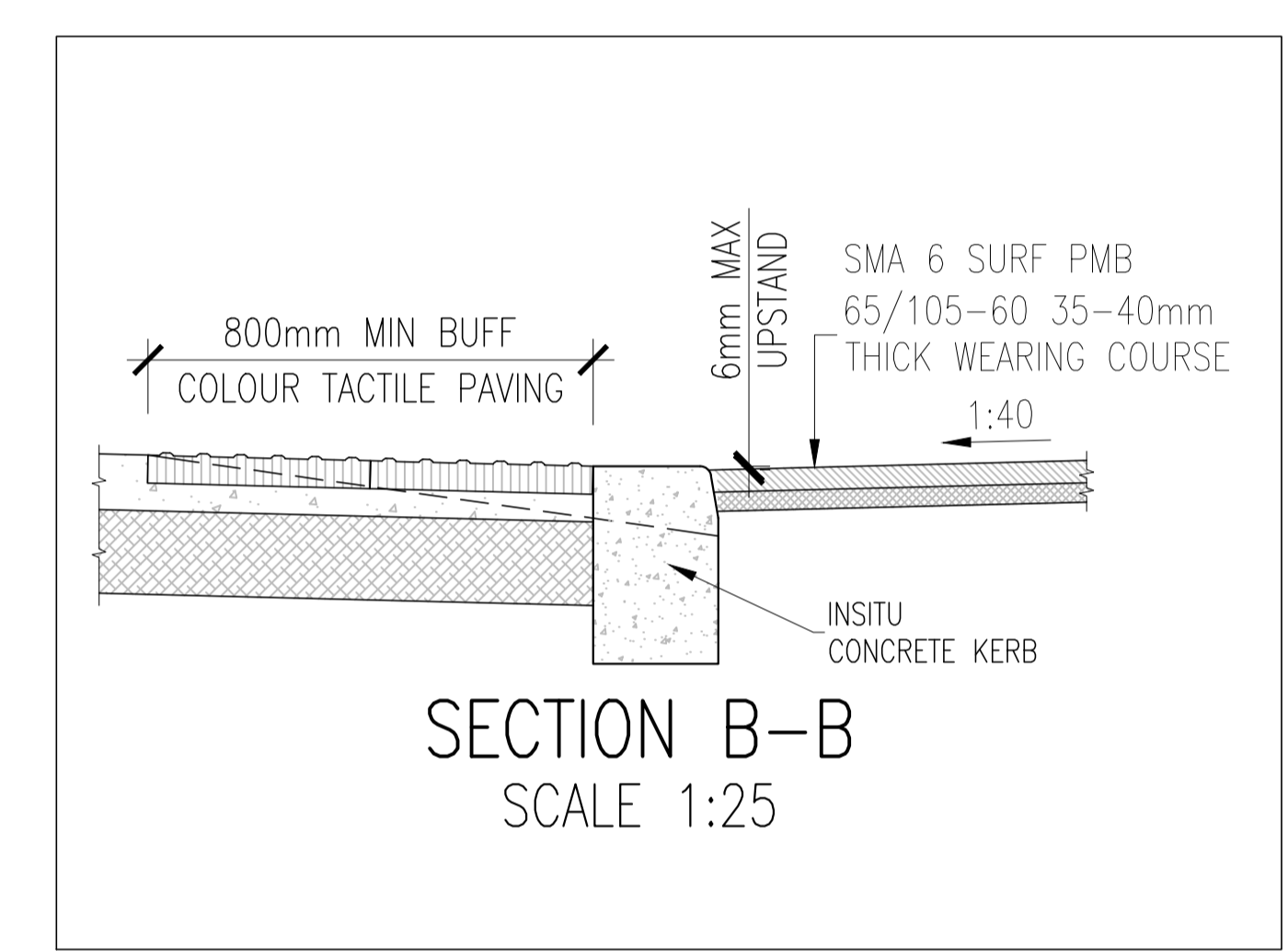


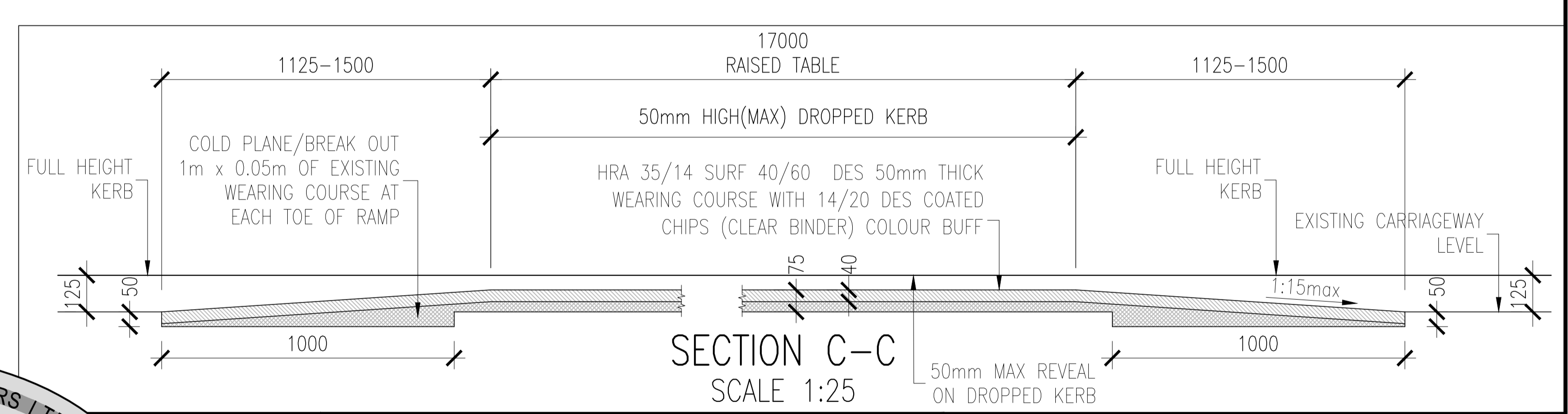
PLAN OF RAISED TABLE
SCALE 1:100



SECTION A-A
SCALE 1:25



SECTION B-B
SCALE 1:25



SECTION C-C
SCALE 1:25

PROJECT	ASHBOURNE TRAFFIC MANAGEMENT
DRG. TITLE	PROPOSED RAISED TABLE

NOTES

DUBLIN OFFICE Ormond House,
Upper Ormond Quay, Dublin 7, Ireland.
PHONE +353 1 400 4000
FAX +353 1 400 4050

WATERFORD OFFICE Unit 2, The Chandlery,
1-2 O'Connell Street, Waterford, Ireland.
PHONE +353 51 309 500
FAX +353 51 844 913

DBFL Consulting Engineers EMAIL info@dbfl.ie SITE www.dbfl.ie

DESIGNED	PGC	PREPARED	PGC
DATE	OCT 2016	CHECKED	RK
CLIENT			
MEATH Co.Co.			
SCALE	AS SHOWN	DRG. NO.	
FILE REF.	162089-2005	162089-2005	